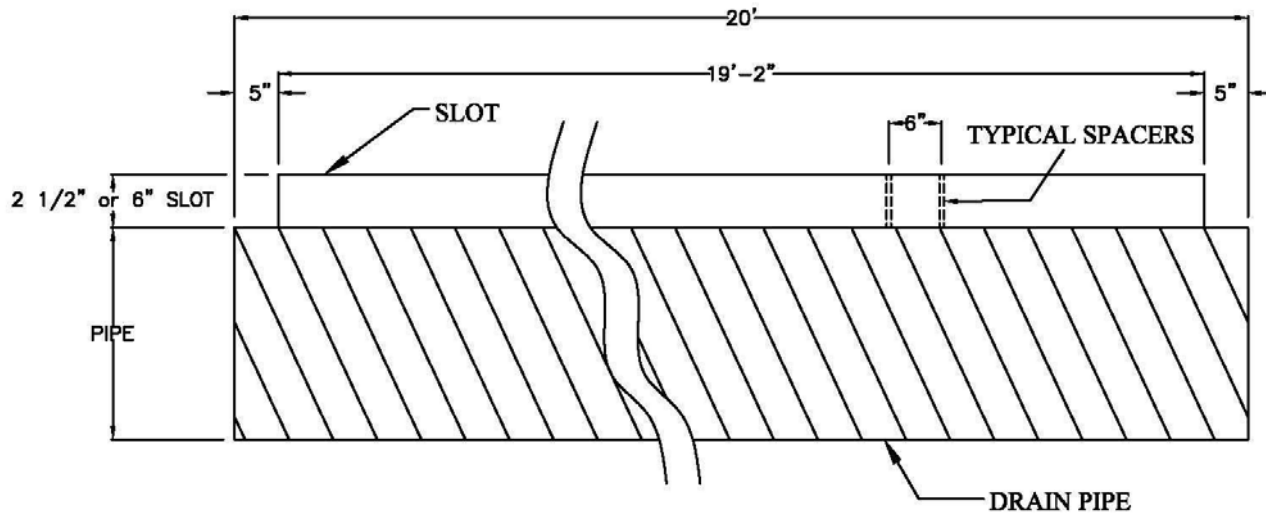


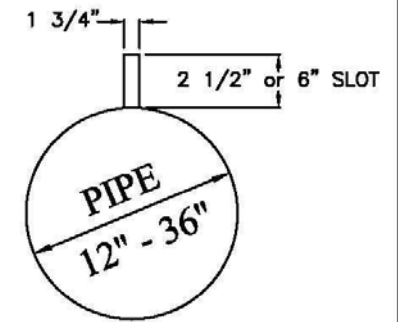
**FOSTER
SUPPLY** INC
SCOTT DEPOT, W V

TITLE			DRAWN BY: BLC
SLOTTED DRAIN			
DRAWING NO.	PAGE	DATE	
A0165	1 OF 1	07/19/01	

NO.	DATE	BY
REVISIONS		



SLOTTED DRAIN DETAILS

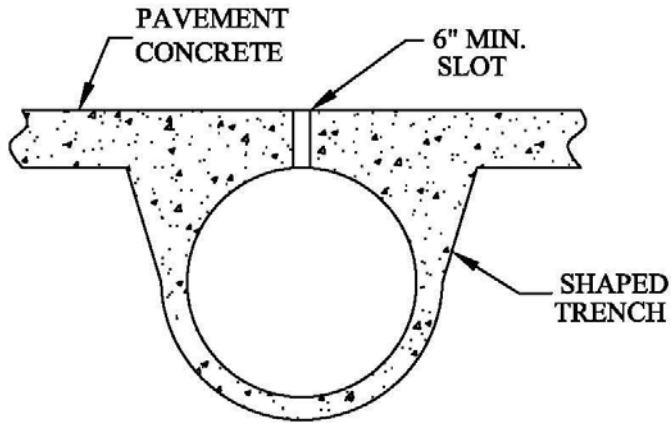


END VIEW

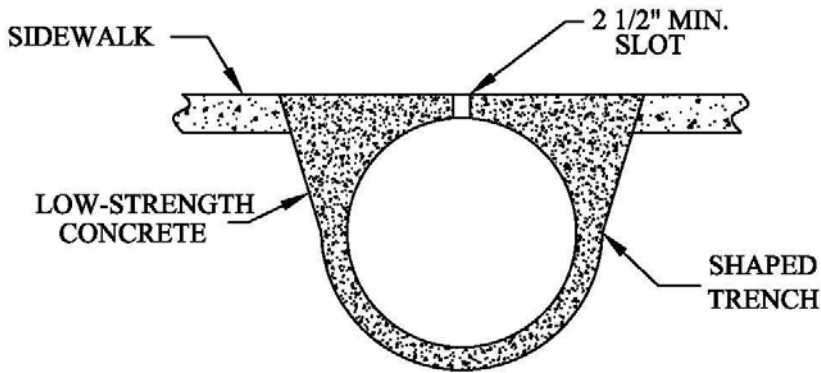
**FOSTER
SUPPLY** INC
SCOTT DEPOT, W V

TITLE		DRAWN BY: BLC
SLOTTED DRAIN DETAIL		
DRAWING NO. A0128	PAGE 1 OF 2	DATE 12/04/00

NO.	DATE	BY
REVISIONS		



VEHICULAR LOADING



BIKE/PEDESTRIAN TRAFFIC

**FOSTER
SUPPLY** INC
SCOTT DEPOT, W V

TITLE			DRAWN BY: BLC
SLOTTED DRAIN INSTALLATION			
DRAWING NO.	PAGE	DATE	
A0128	2 OF 2	12/04/00	

NO.	DATE	BY
REVISIONS		